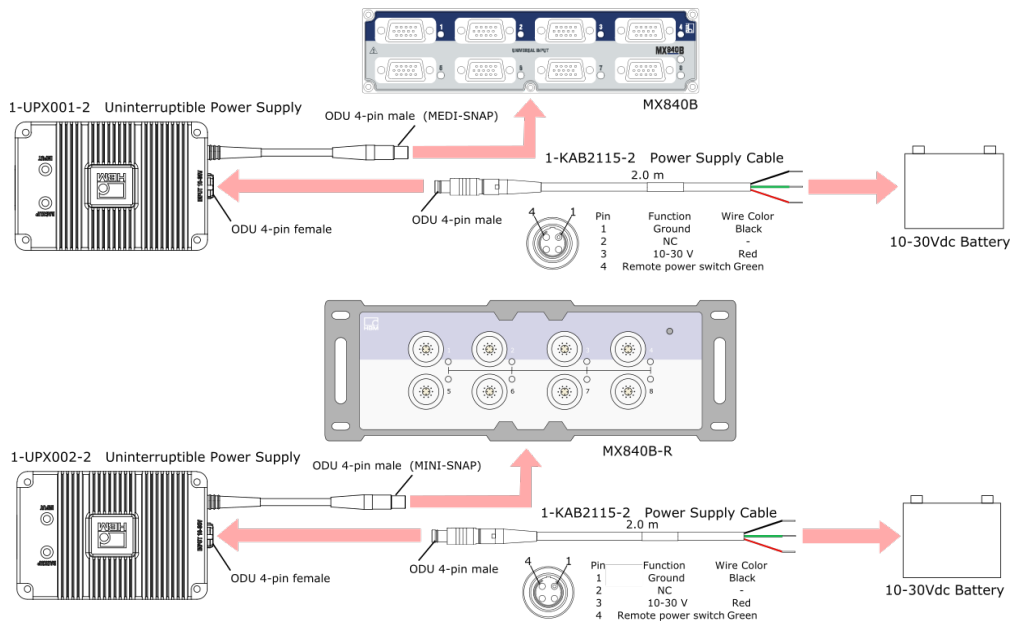


1-UPX001-2, 1-UPX002-2

Uninterruptible Power Supply

Special Features

- Protects against cold-crank voltage drops, short-term power drop outs and overvoltage conditions
- Provides buffer of up to 80 seconds
- Quick recharge
- For use in harsh environments: waterproof, dustproof, shockproof, vibrationproof (Restrictions apply for the 1-UPX001-2 and QuantumX systems)
- 1-UPX001-2 is compatible with QuantumX modules
- 1-UPX002-2 is compatible with SomatXR modules



For safety information, see the SomatXR Safety Manual at www.hbm.com.

Specifications

General Specifications		
Input power supply	-	-
voltage range	V _{DC}	10 ... 30
current (maximum)	A	10
connector	-	SomatXR ODU 4-pin female (MINI-SNAP)
Output power	-	-
voltage range	V	12 ... 30
input < 10 V, 12 ≤ V _{cap} < 13.8	V	V _{cap}
input < 10, V _{cap} < 12	V	12(boost regulated)
10 V ≤ input < 12 V	V	12 (boost regulated)
12 V ≤ input < 30 V	V	same as input voltage
current (maximum)	A	7
connector	-	1-UPX001-2: QuantumX ODU 4-pin male (MEDI-SNAP)
	-	1-UPX002-2: SomatXR ODU 4-pin male (MINI-SNAP)
cable		1-UPX001-2: QuantumX 1 m, gage 18
		1-UPX002-2: SomatXR 0.5 m, gage 18
Capacitor bank	-	six capacitors
capacitance (total)	F	11.7
output voltage (V _{cap})	V	13.8
discharge conditions	-	input voltage < 10 V or input voltage > 30 V
hysteresis	V	2
charge / discharge cycles (minimum)	-	300,000
charge time	-	see chart
minimum charge time (fully depleted capacitors)	sec	45
minimum charge before discharge	V	8
Discharge time	-	see chart
MX module, typical (10 W)	sec	82
MX module, maximum (15 W)	sec	61
Storage temperature range	°C	-40 ... 85
Operating temperature range (charge and discharge)	°C	-40 ... 80
Relative humidity range	%	5 ... 100
Protection class	-	III
Degree of protection	-	IP65/IP67 per EN 60529*
EMC	-	EN61326-1:2012, class B group 1*
Vibration	-	±10 g (unit potted)*
Shock	-	±75g (unit potted)*
Load dump (1-UPX002-2 only)	-	ISO 16750-2:2010 Test B 63 V _{peak}
Dimensions	-	-
width	mm	92
length	mm	138
height	mm	46
Weight	kg	1.1

* 1-UPX001-2 is terminated to be compatible with the QuantumX system. The output connector will only meet the specifications of the QuantumX system. Reference QuantumX data sheets for specifics.

Specifications (continued)

Status LEDs		
INPUT	-	-
green	-	input power is valid; capacitor charger is on
yellow	-	boost regulation; capacitor charger is on
off	-	no input power; capacitor charger is off
BACKUP	-	-
green	-	capacitor bank is fully charged
yellow	-	capacitor bank is discharging
off	-	capacitor bank is drained

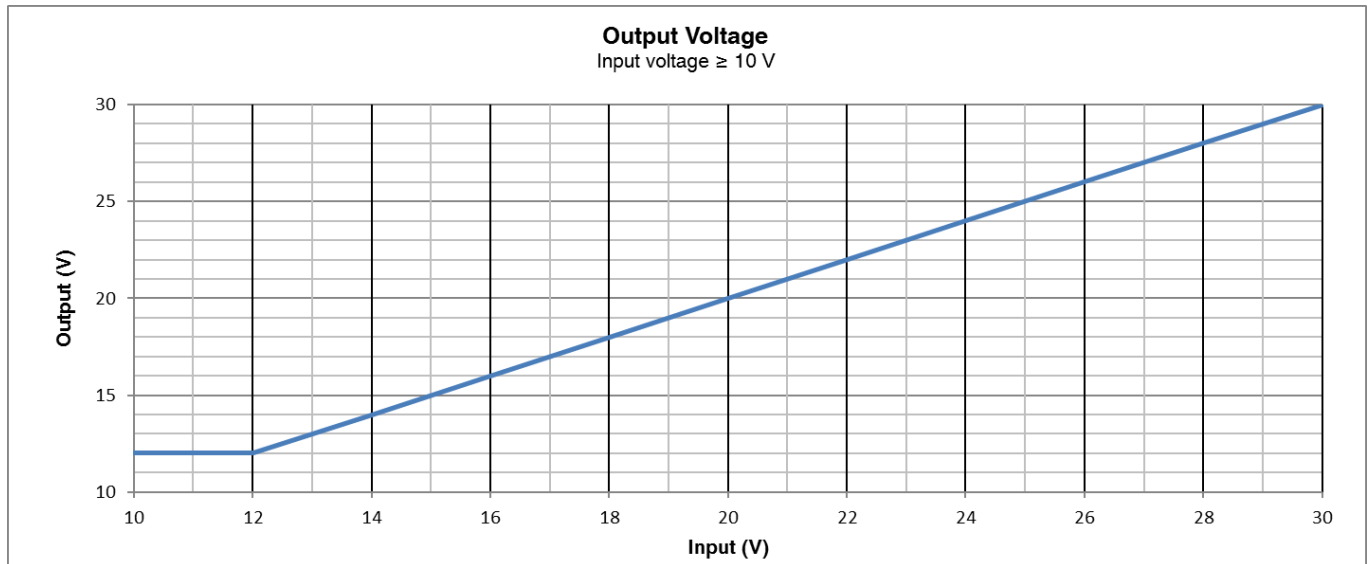
Parts List

Part Numbers	Quantity	Description
1-UPX001-2†‡	1	Uninterruptible Power Supply with 4-pin male connector for QuantumX modules
SO-227-1002109	4	Screw, M4 18-8 SS, Socket Cap, 30 mm (included)
1-UPX002-2†‡	1	Uninterruptible Power Supply with 4-pin male connector for SomatXR modules
SO-227-1002109	4	Screw, M4 18-8 SS, Socket Cap, 30 mm (included)

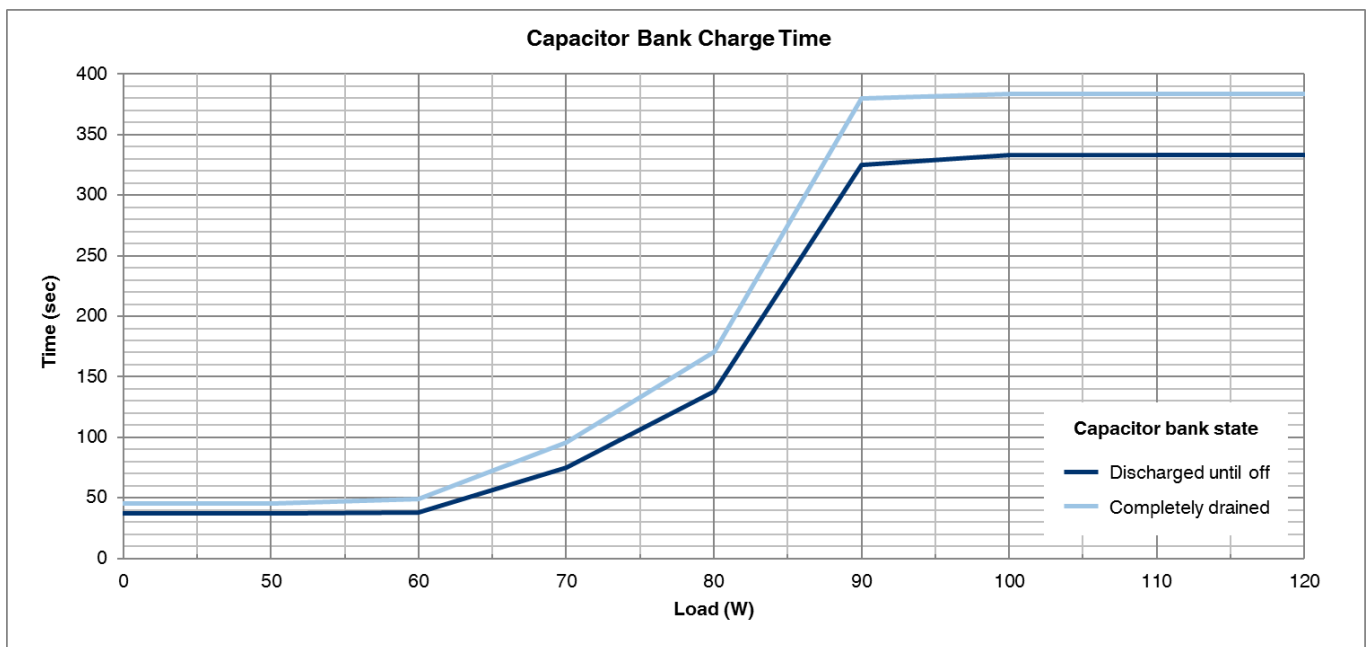
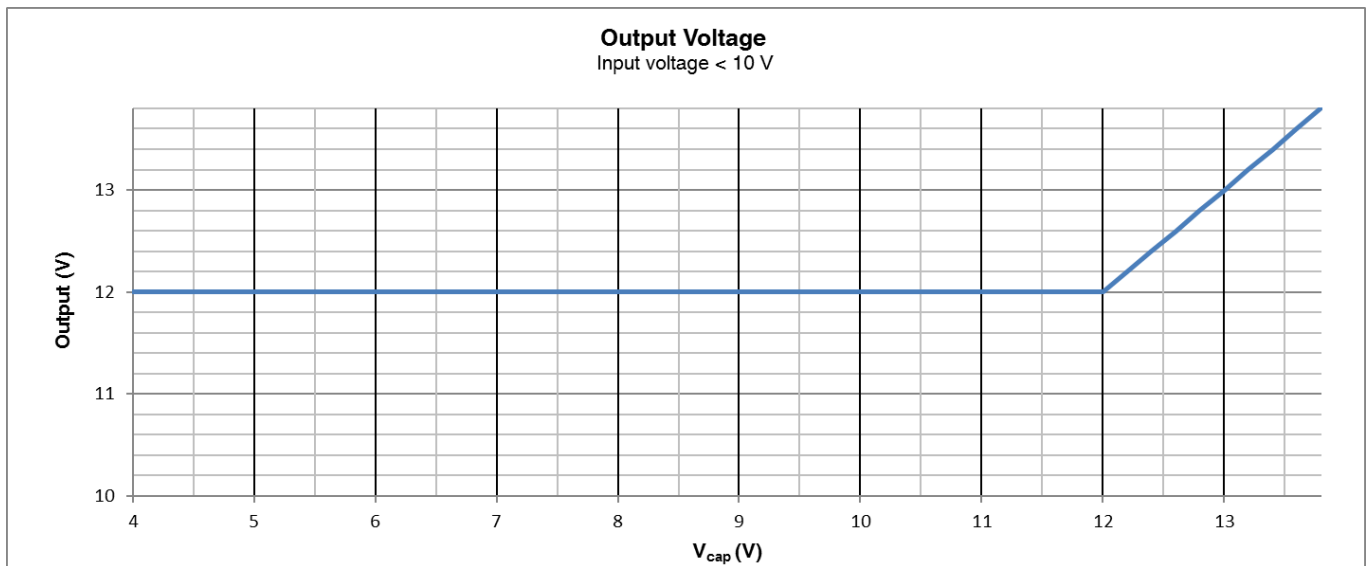
†A 1-KAB2115-2 ODU 4-pin terminated power cable is required to connect a UPX unit to a battery or other power supply.

‡See CASEMOUNT2-2 and CASEMOUNT3-2 data sheet or 1-CASEMOUNT-UMB-2 data sheet for mounting option instructions.

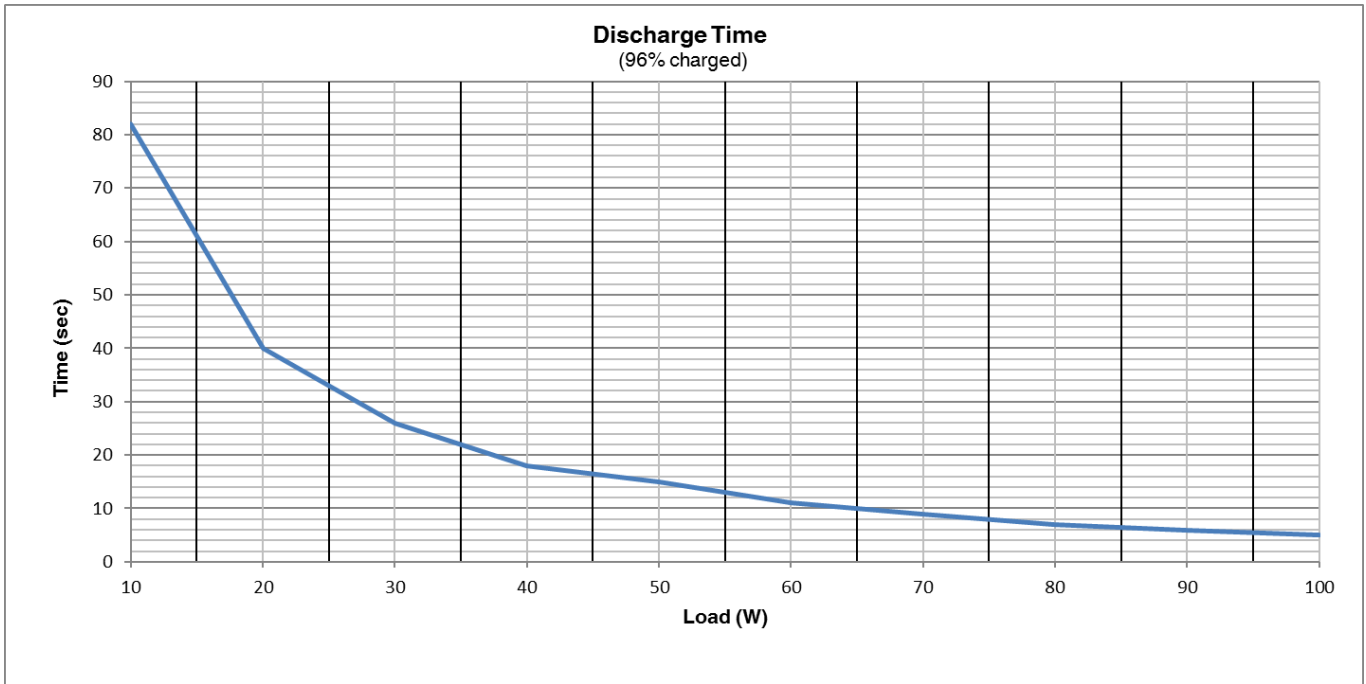
Specifications (continued)



Specifications (continued)



Specifications (continued)



© HBM, Inc. All rights reserved. All details describe our products in general form only.
They are not to be understood as express warranty and do not constitute any liability whatsoever.

Americas: HBM, Inc. · 19 Bartlett Street · Marlboro · MA 01752 · USA · Tel.: (800) 578 4260 · Email: info@usa.hbm.com

Asia: Hottinger Baldwin Measurement (Suzhou) Co., Ltd. · 106 Heng Shan Road · Suzhou 215009 · Jiangsu · China
Free hotline: 4006217621 (only in China) · Tel.: +86 512 682 47776 · Email: hbmchina@hbm.com.cn

Europe: Hottinger Baldwin Messtechnik GmbH · Im Tiefen See 45 · 64293 Darmstadt · Germany
Tel.: +49 6151 803-0 · Email: info@hbm.com

measure and predict with confidence

